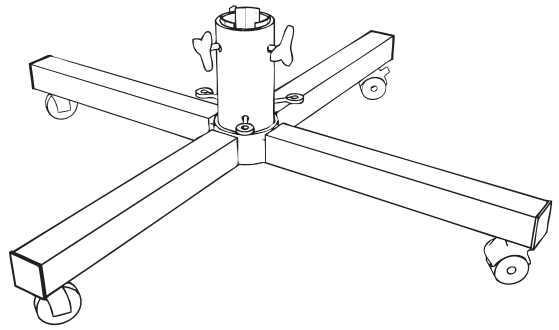




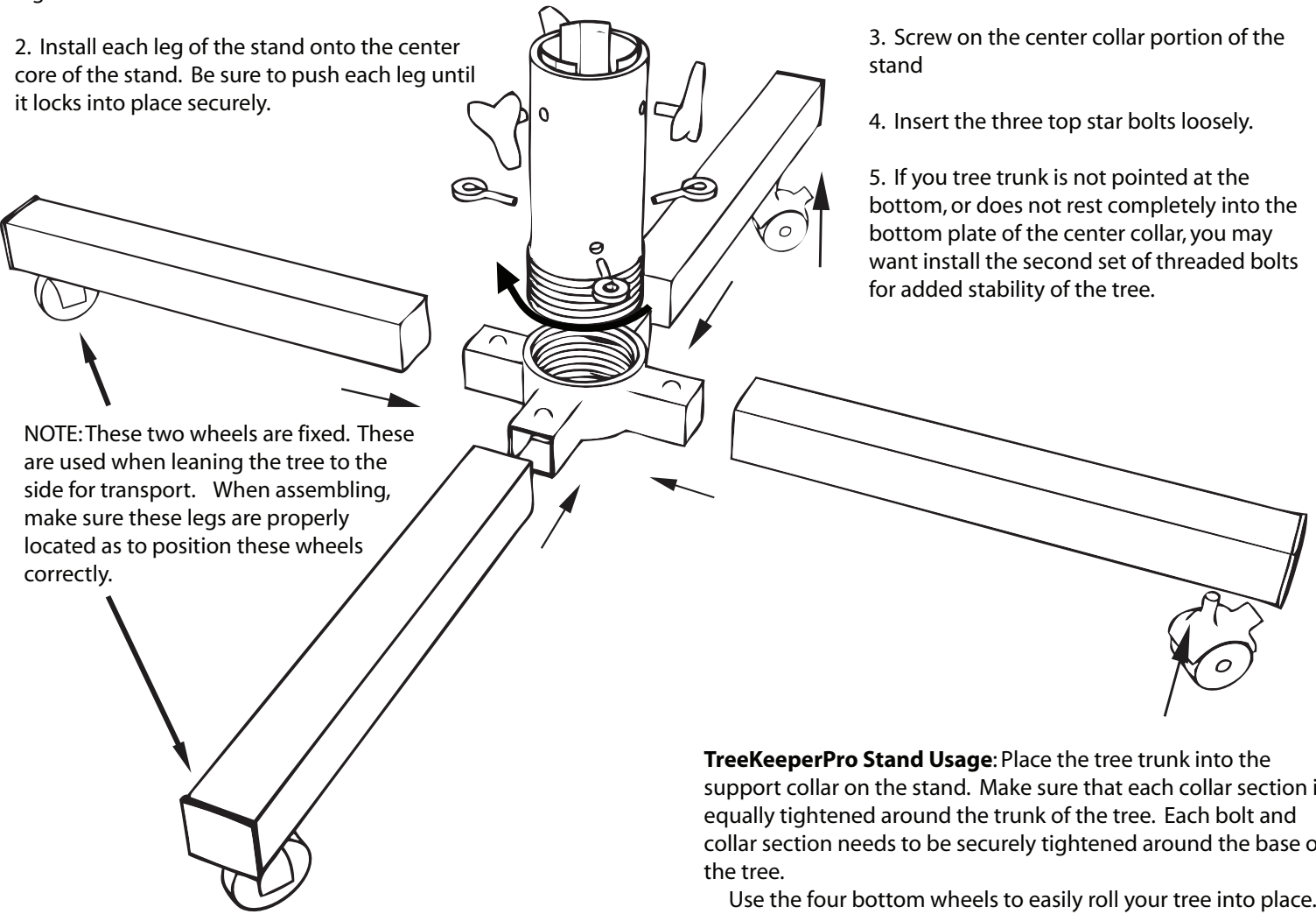
For Items TK-10106, TK-10108, TK-10105, TK-10120, TK-10140, TK-10104



Assembly Instructions:

1. Install the two locking castor wheels onto the legs of the stand.
2. Install each leg of the stand onto the center core of the stand. Be sure to push each leg until it locks into place securely.

3. Screw on the center collar portion of the stand
4. Insert the three top star bolts loosely.
5. If you tree trunk is not pointed at the bottom, or does not rest completely into the bottom plate of the center collar, you may want install the second set of threaded bolts for added stability of the tree.



NOTE: These two wheels are fixed. These are used when leaning the tree to the side for transport. When assembling, make sure these legs are properly located as to position these wheels correctly.

TreeKeeperPro Stand Usage: Place the tree trunk into the support collar on the stand. Make sure that each collar section is equally tightened around the trunk of the tree. Each bolt and collar section needs to be securely tightened around the base of the tree.

Use the four bottom wheels to easily roll your tree into place. Once your tree is fully compressed and secured in the TreeKeeper storage bag, carefully lean the tree to one side and wheel away using the side stationary castors.

For technical assistance, please visit us online at:

www.TREEKEEPERBAGS.com

DO NOT lean the tree and pull down stairs. The tree can be heavy and fall on you AND/OR the bottom castor wheels can be snapped off as tree is dragged from step to step.

IMPORTANT! Please Read: Be extremely careful when leaning the tree to the side. As many trees are very heavy, please be cautious to make sure you can safety maneuver and roll the size and weight of your stored tree. Also, be cautious in moving the tree laterally as the tree may tip over. URGENT: Do not attempt to lean the tree to one side when not properly stored in a TreeKeeper bag.

WE VE GOT YOUR HOLIDAYS COVERED



WWW.TREEKEEPERBAGS.COM